

Weights

| | |
|--|-----------|
| Operating weight | 1930 kg |
| Additional weight for cab with heating | 81 kg |
| Additional weight for long dipperstick | 6 kg |
| Additional weight for long dozer blade | 9 kg |
| Ground pressure with rubber tracks | 31.10 kPa |

Engine

| | |
|-------------------------------|-------------------------|
| Make / model | Kubota / D722-E2B-BCZ-7 |
| Fuel | Diesel |
| Number of cylinders | 3 |
| Displacement | 0.72 L |
| Maximum NET power (ISO 9249) | 9.9 kW |
| Maximum NET torque (ISO 9249) | 42.3 Nm |

Performance

| | |
|--|----------|
| Digging force, dipperstick (ISO 6015) | 10371 N |
| Digging force, long dipperstick (ISO 6015) | 9279 N |
| Digging force, bucket (ISO 6015) | 20835 N |
| Drawbar pull | 19302 N |
| Travel speed, low range | 2.5 km/h |
| Travel speed, high range | 4.0 km/h |

Hydraulic System

| | |
|-----------------------------------|---------------------------------|
| Pump type | Dual piston pump with gear pump |
| Pump capacity | 41.30 L/min |
| Pump 1 capacity at 2500 RPM | 11.30 L/min |
| Pump 2 and 3 capacity at 2500 RPM | 15.00 L/min |
| Auxiliary flow | 30.00 L/min |
| Auxiliary relief | 180.0 bar |
| Boom port relief base and rod end | 210.0 - 250.0 bar |

Slew System

| | |
|-------------------|---------|
| Boom swing, left | 80° |
| Boom swing, right | 60° |
| Slew rate | 8.4 RPM |

Fluid Capacities

| | |
|------------------------------------|---------|
| Cooling system | 3.30 L |
| Engine lubrication plus oil filter | 3.30 L |
| Fuel reservoir | 19.00 L |
| Hydraulic system | 19.00 L |

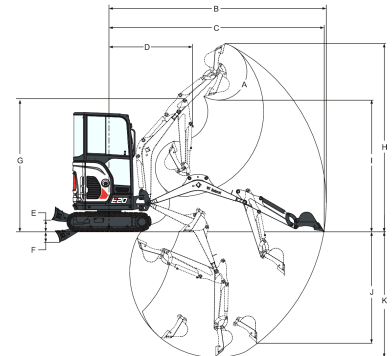
Environmental

| | |
|---|-----------------------|
| Noise level LpA(EU Directive 2006/42/EC) | 82 dB(A) |
| Noise level LWA(EU Directive 2000/14/EC) | 93 dB(A) |
| Whole body vibration (ISO 2631-1) | 0.73 ms ⁻² |
| Hand-arm vibration (ISO 5349-1) | 1.57 ms ⁻² |
| Hand-arm vibration (ISO 5349-1) Uncertainty | 0.37 ms ⁻² |

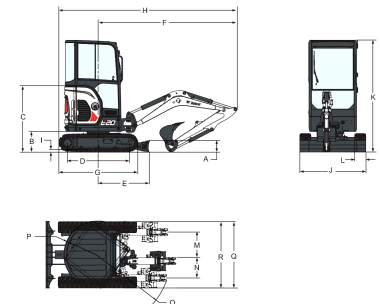
Standard Features

| | |
|--|--|
| TOPS/ROPS/FOPS canopy ¹ | Full fuel warning alarm |
| 980 mm dozer blade with two 190 mm blade extensions | Battery kill switch |
| Heavy counterweight | Cupholders |
| 230 mm rubber track | Foldable and ergonomic pedals |
| Double acting auxiliary hydraulics with quick couplers | Hydraulically retractable undercarriage from 1360 mm to 980 mm |
| Control console locks | Upper structure four point tie down |
| Horn | Work light |
| Hydraulic joystick controls | Engine with auto shutdown |
| Retractable seat belt | Hydraulic and travel control lockout |
| Two-speed travel | Warranty: 12 months, 2000 hours (whichever occurs first) |

1. Roll Over Protective Structure (ROPS) - Meets requirements of ISO 3471. Tip Over Protective Structure (TOPS) - Meets requirements of ISO 12117. Falling Object Protective Structure (FOPS) - Meets requirements of ISO 3449.

Working Range


| | | | |
|------|-----------|------|-----------|
| (A) | 196° | (G) | 2564.0 mm |
| (B) | 4134.0 mm | (H) | 3573.0 mm |
| (B*) | 4307.0 mm | (H*) | 3701.0 mm |
| (C) | 4089.0 mm | (I) | 2566.0 mm |
| (C*) | 4264.0 mm | (I*) | 2693.0 mm |
| (D) | 1592.0 mm | (J) | 1948.0 mm |
| (D*) | 1611.0 mm | (J*) | 2115.0 mm |
| (E) | 220.0 mm | (K) | 2385.0 mm |
| (F) | 204.0 mm | (K*) | 2565.0 mm |

Dimensions


| | | | |
|------|-----------|------|-----------|
| (A) | 235.0 mm | (J) | 980.0 mm |
| (B) | 419.0 mm | (J*) | 1360.0 mm |
| (C) | 1138.0 mm | (K) | 2297.0 mm |
| (D) | 1258.0 mm | (L) | 230.0 mm |
| (E) | 1045.0 mm | (M) | 476.0 mm |
| (F) | 2882.0 mm | (N) | 638.0 mm |
| (G) | 1620.0 mm | (O) | 1190.0 mm |
| (H) | 3688.0 mm | (P) | 690.0 mm |
| (H*) | 3669.0 mm | (Q) | 1532.0 mm |
| (I) | 25.0 mm | (R) | 1370.0 mm |

Options

| | |
|---------------------------|---|
| TOPS/ROPS cab with heater | AM/FM MP3 stereo radio |
| Keyless start | 2nd Auxiliary hydraulics |
| Travel motion alarm | Auxiliary hydraulic line on arm |
| Cab enclosure, vinyl | Boom load holding valve |
| Cab/canopy light kit | Hydraulic clamp |
| Special applications kit | Comfort package (Superior seat for canopy or cloth suspension seat for cab, Autospeed shift, Aux and Off-set pilot control) |
| Long dipperstick | Klacc and Lehnhoff couplers |
| Long dozer blade | Object handling certification |