

# S2770/3370/3970RT

## COMPACT ROUGH TERRAIN SCISSORS



- Compact diesel rough terrain scissor lifts
- Excellent rough terrain performance
- Easy to operate
- Roll-out deck extension for extra reach
- Ideal for outdoor work in confined spaces

 **snorkel**  
[www.snorkellifts.com](http://www.snorkellifts.com)

# COMPACT RT SCISSORS

# S2770/3370/3970RT

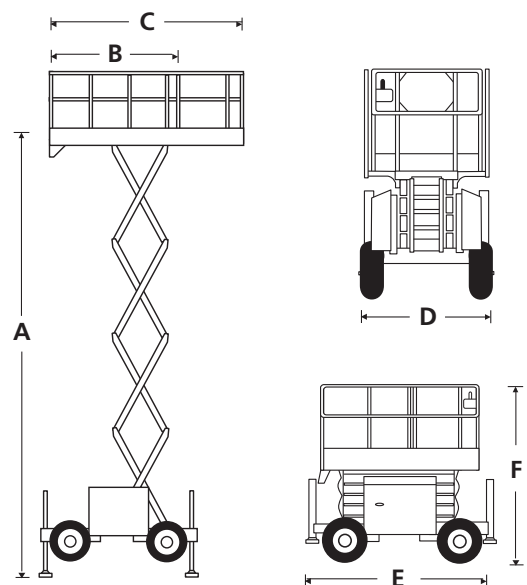
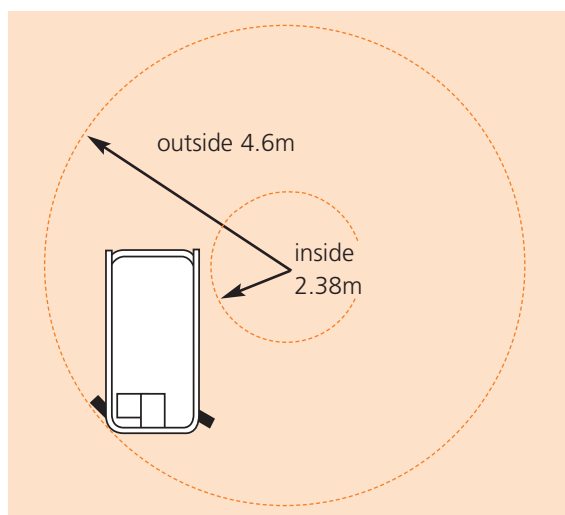
DIMENSIONS	S2770RT	S3370RT	S3970RT
Max. working height	10.3m	12.1m	13.5m
Max. platform height (A)	8.28m	10.1m	11.5m
Platform size (stowed) (B)	2.74m x 1.65m	2.74m x 1.65m	2.74m x 1.65m
Platform size (extended) (C)	4.0m x 1.65m	4.0m x 1.65m	4.0m x 1.65m
Deck extension	1.2m	1.2m	1.2m
Overall width (D)	1.8m	1.8m	1.8m
Overall length (E)	3.36m	3.36m	3.36m
Stowed height (F)	2.56m	2.70m	2.95m
Min. height (guardrails folded)	1.75m	2.0m	2.15m
Ground clearance	200mm	200mm	200mm

PERFORMANCE			
Platform capacity (SWL)	580kg	450kg	350kg
Max. drive height	8.28m	10.1m	11.5m
Max. drive speed (stowed)	4.5km/h	4.5km/h	4.5km/h
Max. drive speed (elevated)	0.8km/h	0.35km/h	0.35km/h
Raise/lower time	26/30 sec	50/60 sec	53/49 sec
Gradeability	35%	35%	30%
Max. outrigger levelling, front to rear	6°	6°	7°
Max. outrigger levelling, side to side	10°	10°	11°
Inside turning radius	2.38m	2.38m	2.38m
Outside turning radius	4.6m	4.6m	4.6m
Tyres	27 x 10.5 - 15 poly filled loader lug		
Controls	proportional joystick		
Drive system	4 wheel drive	4 wheel drive	4 wheel drive

POWER			
Power source	Kubota D-902 water cooled diesel 22.5h		

WEIGHT			
Gross weight	2,930kg	3,620kg	3,850kg

## TURNING RADIUS



## STANDARD FEATURES

- 1.2m deck extension
- 4 wheel drive
- 4 hydraulic outriggers with automatic levelling
- Proportional joystick control
- Poly filled lug tyres
- Articulating axle
- Power line to platform (no sockets)
- Horn
- Drive motion alarm
- Lower warning alarm
- Fold-down guardrails
- CE approved

## OPTIONS

- Special paint colours
- Non marking tyres
- LPG power
- Hydraulic generator 110V/240V 2kw
- Dual lanyard anchorage point
- Flashing amber beacon

**snorkel**

Vigo Centre, Birtley Road,  
Washington, Tyne & Wear,  
NE38 9DA, U.K.

t: +44 (0) 845 1550 057

e: sales@snorkellifts.com

www.snorkellifts.com